

SWITCH CAP
P/N:SC316



Materials PA66

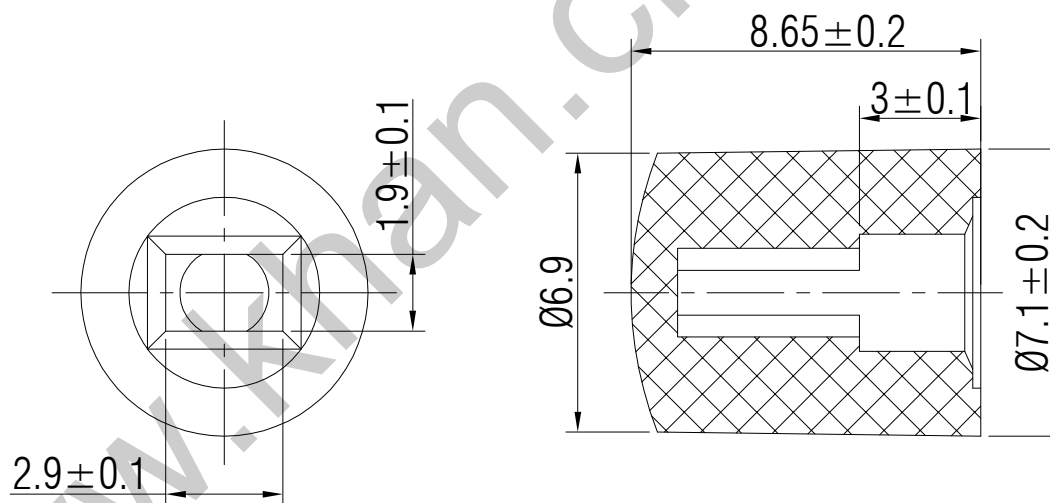
Color Black White
(OEM AVAILABLE)

Packaging

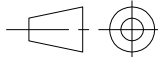
Bulk Package

Inner Package: Plastic bag

Outer Package: Carton



WENZHOU KHAN ELECTRONIC

VERSION		PROJECTION	DESIGNED	Wei Lin
KH14FE22E			CHECKED	ZhongJu Peng
SCALE	SIZE	 Dimensions are shown:mm(inches)	APPROVED	Johan Xu
5:1	A4		2022.05.11	